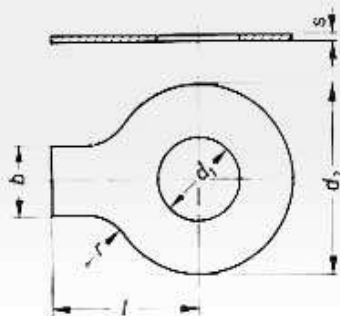


Arruelas Trava – QX - 93



Cod 39	Bitola	d_1	b	d_2	l	r	S	PESO/mil
390300	M-3	3.2	4	12	13	2.5	0.381	0.37
390350	M-3,5	3.7	4	12	13	2.5	0.381	0.36
390400	M-4	4.3	5	14	14	2.5	0.381	0.49
390500	M-5	5.3	6	17	16	2.5	0.5	1.05
390600	M-6	6.4	7	19	18	4	0.5	1.21
390700	M-7	7.4	7	19	18	4	0.5	1.17
390800	M-8	8.4	8	22	20	4	0.75	2.32
390010	M-10	10.5	10	26	22	6	0.75	3.13
390012	M-12	13	12	30	28	10	1	6.00
390014	M-14	15	12	33	28	10	1	7.00
390016	M-16	17	15	36	32	10	1	8.50
390018	M-18	19	18	40	36	10	1	11.00
390020	M-20	21	18	42	36	10	1	11.00
390022	M-22	23	20	50	42	10	1	14.80
390024	M-24	25	20	50	42	10	1	14.20
390027	M-27	28	23	58	48	16	1.6	31.00
390030	M-30	31	26	63	52	16	1.6	36.30
390033	M-33	34	28	68	56	16	1.6	42.00
390036	M-36	37	30	75	60	16	1.6	51.30
390039	M-39	40	32	82	64	16	1.6	59.70
390042	M-42	43	35	88	70	16	1.6	69.50
390045	M-45	46	38	95	75	16	1.6	81.20
390048	M-48	50	40	100	80	16	1.6	89.00
390052	M-52	54	44	105	85	16	1.6	98.00