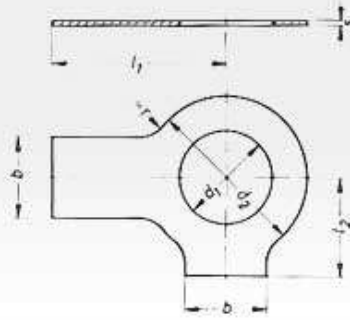


# Arruelas Trava – QX - 463



Cod 46	Bitola	$d_1$	$b$	$d_2$	$l_1$	$l_2$	$r$	$s$	Peso/mil
460300	M-3	3.2	4	7	13	5	1.6	0.381	0.23
460350	M-3,5	3.7	4	8	13	5.5	1.6	0.381	0.25
460400	M-4	4.3	5	9	14	6.5	2.5	0.381	0.33
460500	M-5	5.3	6	10	16	8	2.5	0.5	0.55
460600	M-6	6.4	7	12.5	18	9	4	0.5	0.80
460700	M-7	7.4	7	14	18	10	4	0.5	0.90
460800	M-8	8.4	8	17	20	11	4	0.75	1.71
460010	M-10	10.5	10	21	22	13	4	0.75	2.51
460012	M-12	13	12	24	28	15	6	1	4.41
460014	M-14	15	12	28	28	16	6	1	5.09
460016	M-16	17	15	30	32	18	6	1	6.30
460018	M-18	19	18	34	36	20	6	1	8.24
460020	M-20	21	18	37	36	21	6	1	9.00
460022	M-22	23	20	39	42	23	6	1	10.00
460024	M-24	25	20	44	42	25	6	1	12.00
460027	M-27	28	23	50	48	29	6	1.6	25.30
460030	M-30	31	26	56	52	32	10	1.6	31.40
460033	M-33	34	28	60	56	34	10	1.6	35.60
460036	M-36	37	30	66	60	38	10	1.6	42.50
460039	M-39	40	32	72	64	41	10	1.6	49.70
460042	M-42	43	35	78	70	44	10	1.6	59.20
460045	M-45	46	38	85	75	48	10	1.6	70.30
460048	M-48	50	40	92	80	50	10	1.6	80.00
460052	M-52	54	44	98	85	53	10	1.6	90.20